

TRANSFORMERS™

AGES 4+

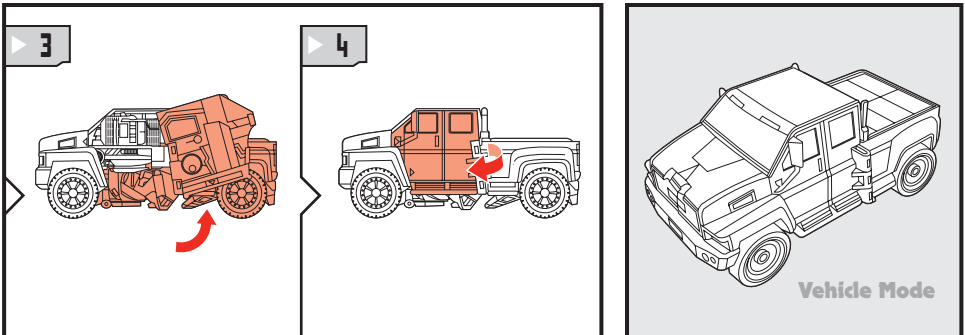
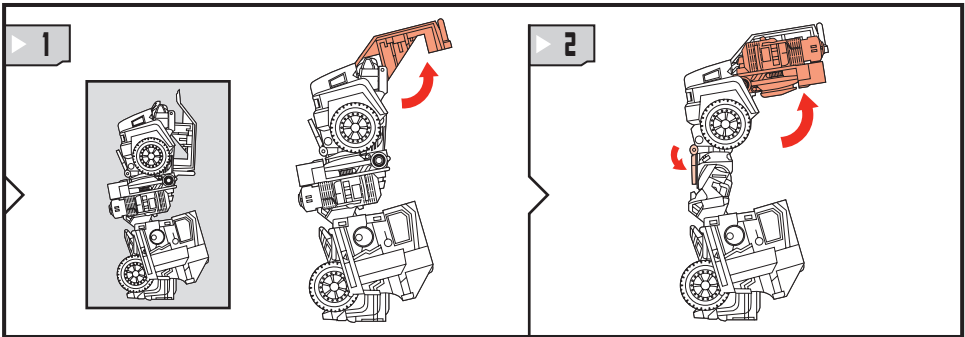
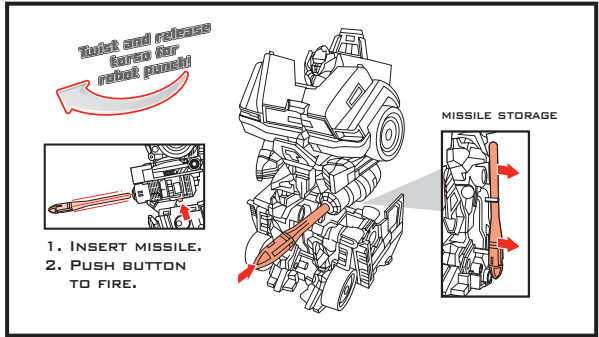
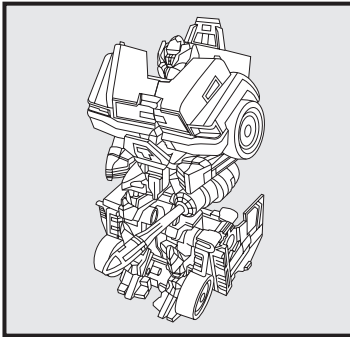
83756/82414 Asst.

Pulse Cannon
IRONHIDE®

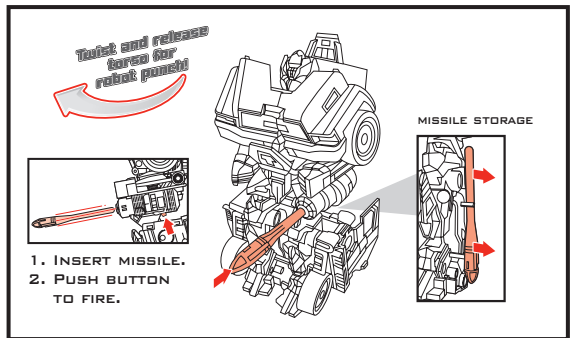
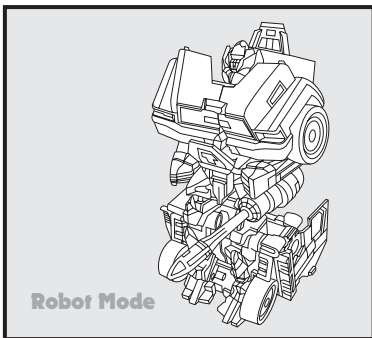
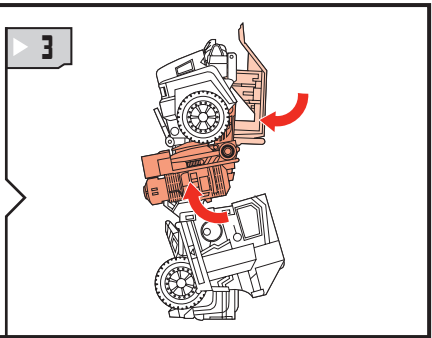
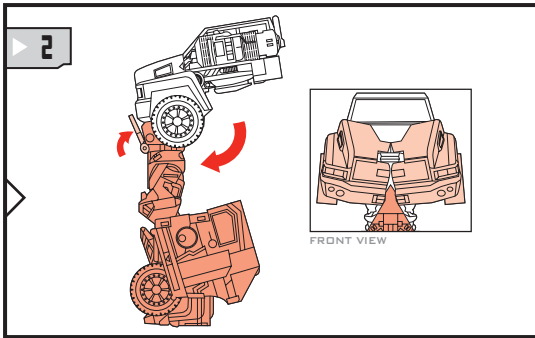
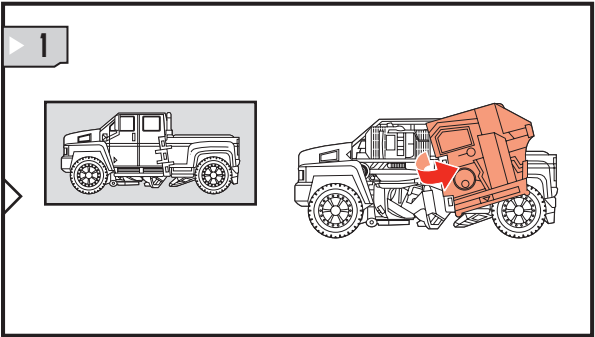
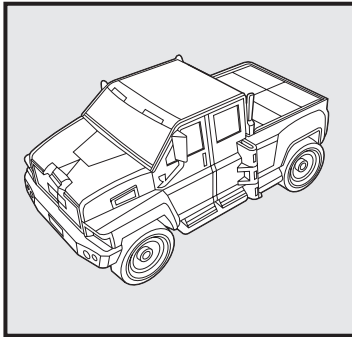
TRANSFORMERS.COM



CHANGING TO VEHICLE



CHANGING TO ROBOT



Topick and all related Emblems and vehicle body designs are General Motors Trademarks used under license to Hasbro, Inc.



Some poses may require hand support.

P/N 6757690000

TRANSFORMERS.COM



© 2007 DreamWorks LLC and Paramount Pictures Corporation
 ® and/or TM® & © 2007 Hasbro. All Rights Reserved.
 TM & © denote U.S. Trademarks.
 Manufactured under license from Tomy Company, Ltd.

